

Four-port polarization beam splitter

		Customer:XXXX
Spec. Number		N/A
Date	2019-04-15	
Part Number	FPBS15500001110-XXXX	NA

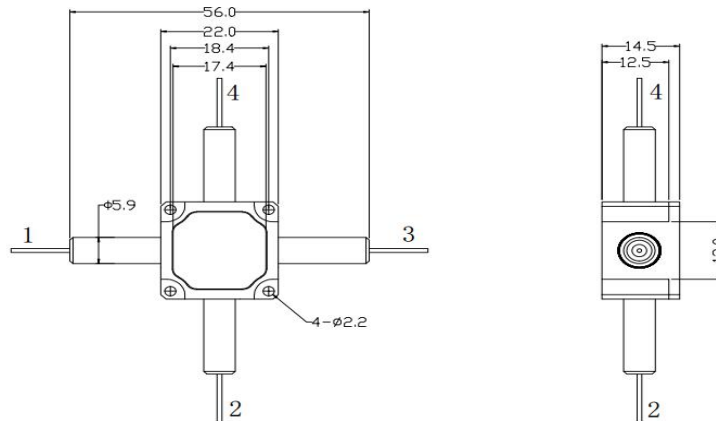
Specifications

Parameter	Value
Wavelength (nm)	1550
Operating Bandwidth (nm)	+/-20
Insertion Loss (dB)	≤1.0
Extinction Ratio (dB)	≥20
Directivity (dB) (1-4, 2-3)	≥50
Return Loss (dB)	≥50
Power Handling (mW)	≤300
Fiber Type	PM fiber
Operating Temperature (°C)	-5 ~ +70
Storage Temperature (°C)	-40 ~ +80
Dimensions (mm)	56.0*56.0*14.5

*Above specifications are for device without connector.

*For devices with connector, IL will be 0.3dB higher and RL will be 5dB lower.

Package Dimensions



Ordering Information

FPBS	Wavelength	000	Fiber Type	Pigtail Type	Length	Connector	Customer
	1550=1550nm	P04	1= PM 1550 Fiber	1=250um bare fiber 2=900um loose tube	H=0.5m 8=0.8m 1=1.0m 5=1.5m	0=None 1=FC/UPC 2=FC/APC 3=SC/APC 4=SC/UPC 5=LC/PC	XXXX