

TGG Type In Line Optical Isolator

Features:

Low Insertion Loss & PDL, High Isolation & PER & Return Loss
High reliability

Application:

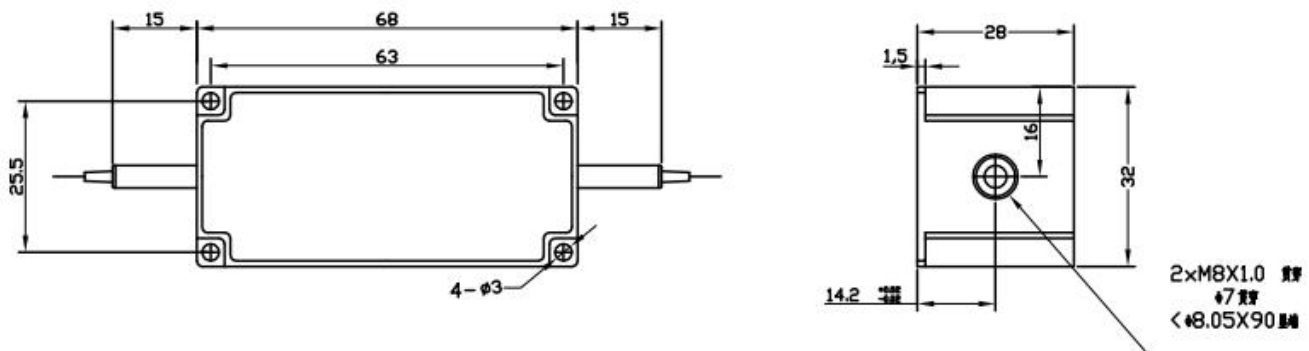
Fiber Laser & Amplifier

Specifications:

Parameter	Value
Center wavelength (nm)	980, 1030, 1060, 1080
Bandwidth (nm)	±10
Insertion Loss @23°C	≤1.0(typ.0.7)
Peak Isolation (dB)	35~42
Isolation at 23°C (dB)	≥25
PDL (dB)	≤0.15
Return loss (Input/output) (dB)	≥50/50
Average power (W)	0.3 ~ 50
Peak Power (Kw)	10
Fiber Type	HI1060 fiber or LMA 10-30um fiber
Operating temperature (°C)	0 ~ +65
Storage temperature (°C)	-20 ~ +85
Package Dimension LxWxH (mm)	68x32x28

For device with connector, the IL will be 0.3dB higher will be 2dB lower and RL will be 5dB lower, the max handling power will be only 1W guaranteed

Package dimension:



Ordering Information:

HPIIS	Wavelength	Power	Fiber Type	Pigtail Type	Length	Connector
HPIIS	0980=980	03=300mW	1=HI1060	2=900um	H=0.5m	0=None
	1030=1030	01=1W	2=10/125	loose tube	7=0.7m	1=FC/UPC
	1060=1060	10=10W	SCF		1=1.0m	2=FC/APC
	1080=1080	20=20W	3= 25/250 DC		S=Specify	6=Specify
		50=50W	4=20/400 DC			