

Mode Field Adapter

Features:
Low Loss High reliability
Application:
Fiber Laser & Amplifier

Specifications

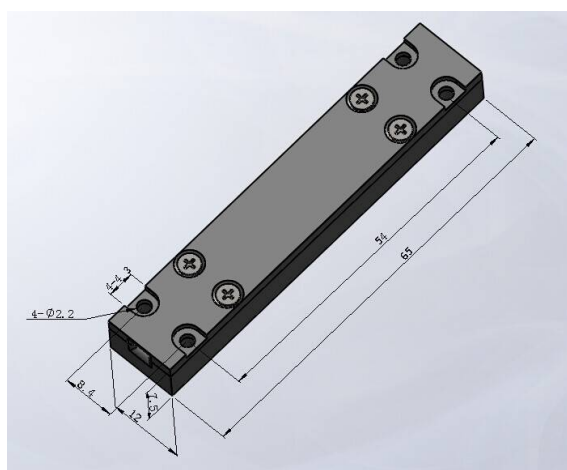
Input Fiber	Output Fiber	Working Wavelength (nm)	Insertion Loss (dB)	Power (W)
X/125 SC or DC	Y/125 DC Y/250 DC Y/300 DC	1020-1080	0.3~0.5	10-30
PM X /125 SC or DC	PM Y/125 SC or DC PM Y/250 DC PM Y/300 DC	1020-1080	0.3~0.5	10-30
PM8/125 SCF or DCF	PM 25/250 DC	1530-1565	0.3~0.5	10-30

*X, Y means difference fiber core size, fiber core 6um, 8um, 10um, 12um, 15um, 25um, 30um

*IL and power is depend on exact MFA configuration

* Forward: Small MFD to large MFD, Backward: Big MFD to small MFD

Package Dimensions



Ordering Information

MFA	Wavelength	Input Signal Fiber	Output Signal Fiber	Direction	0	Pigtail	length
	55=1550 06=1064	XXX: Pls write fiber core/Cladding	XXX: Pls write fiber core/Cladding	F=Forward B=Backward	0	0=bare fiber	H=0.5M 8=0.8M 1=1m S=Specify